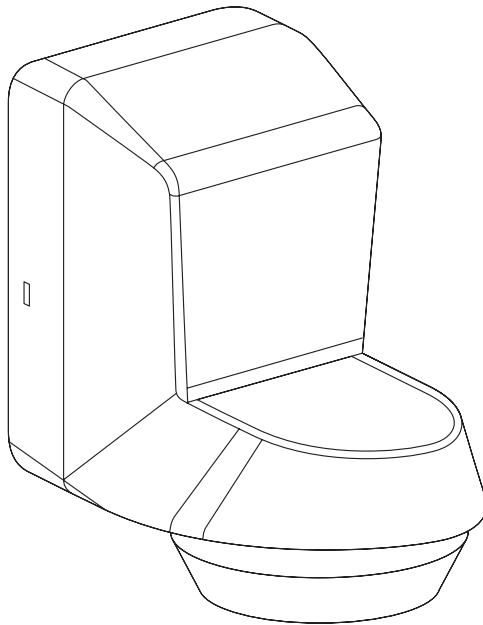


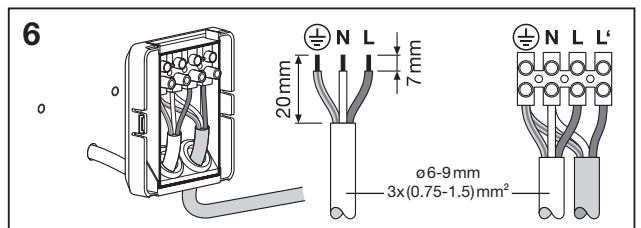
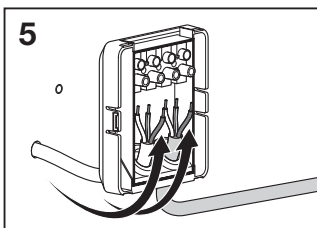
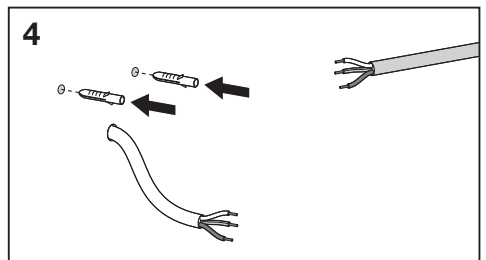
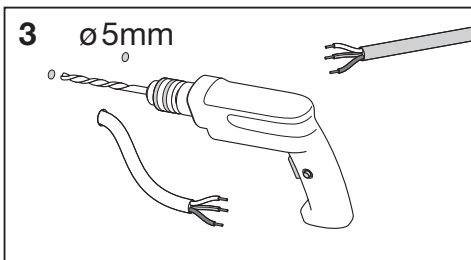
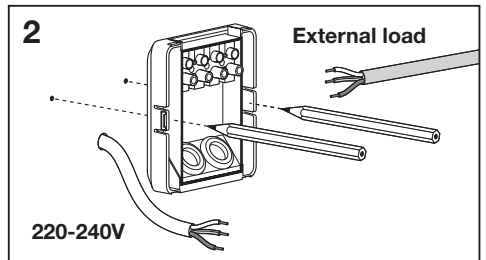
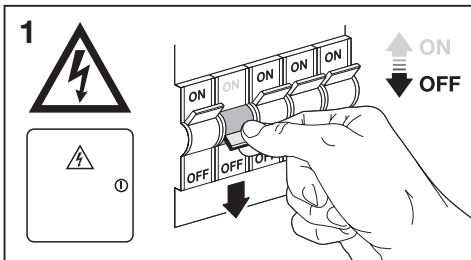
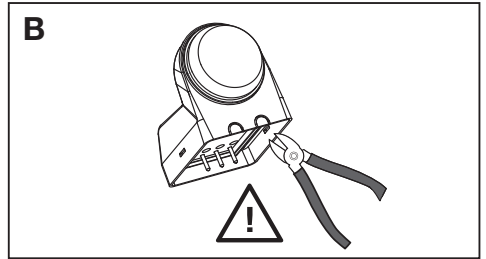
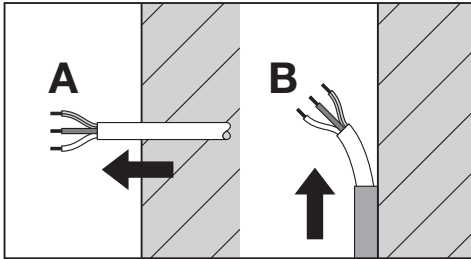
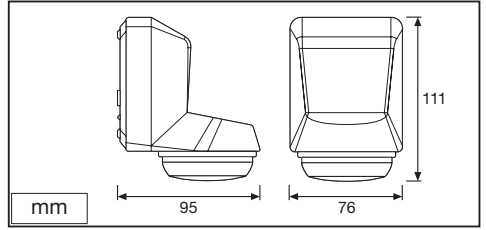
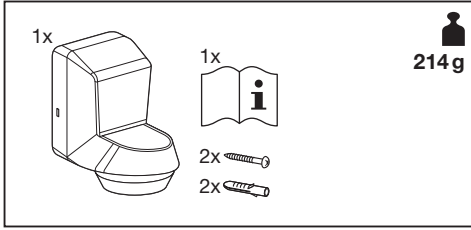
---

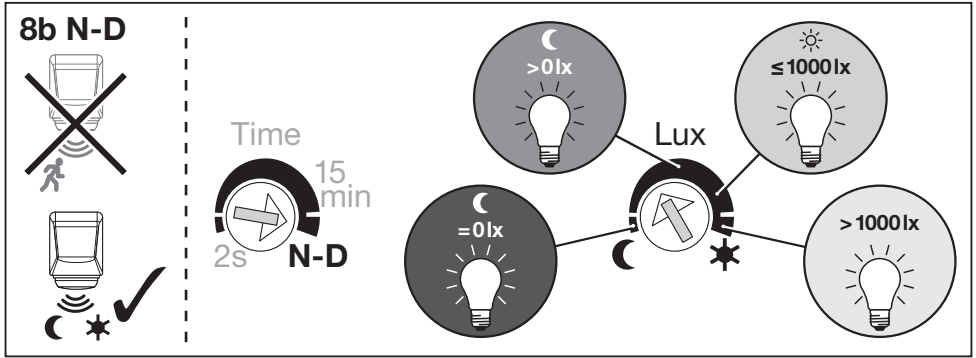
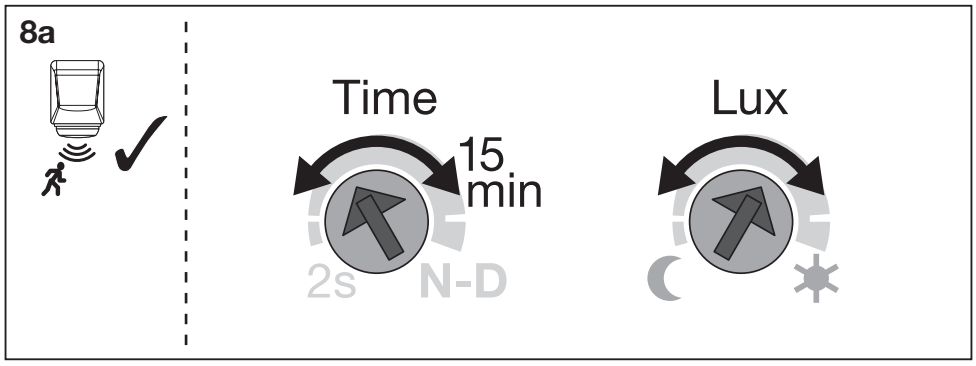
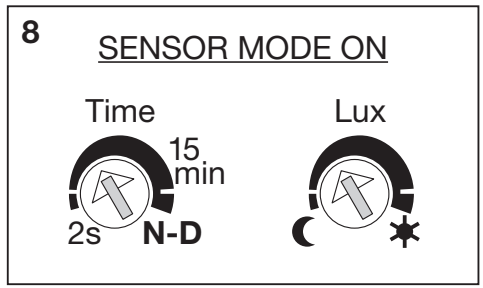
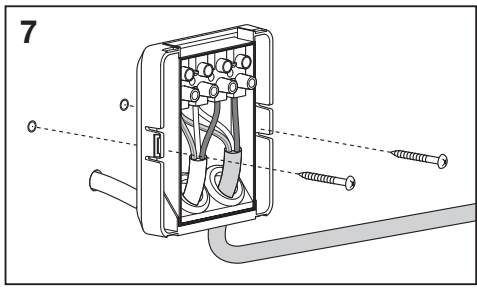
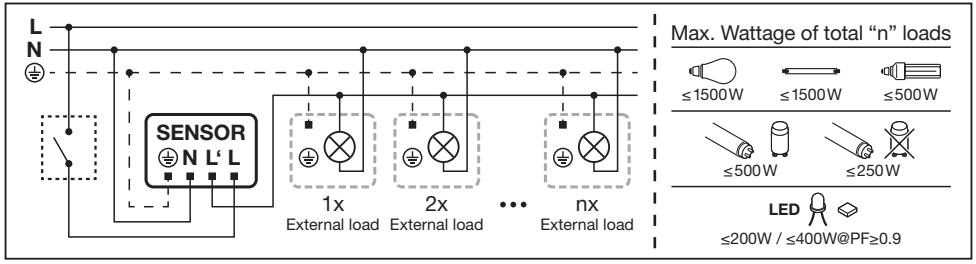
**SENSOR WALL 360DEG**

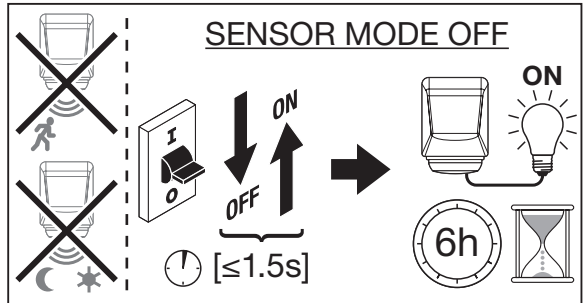
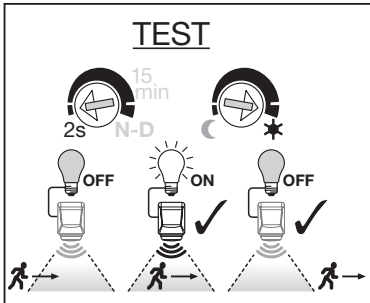
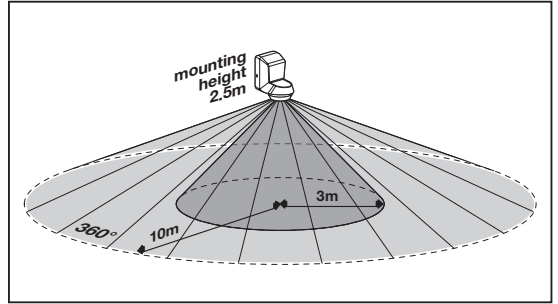
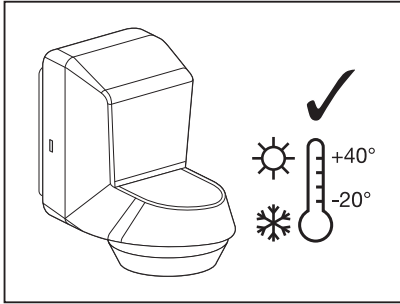
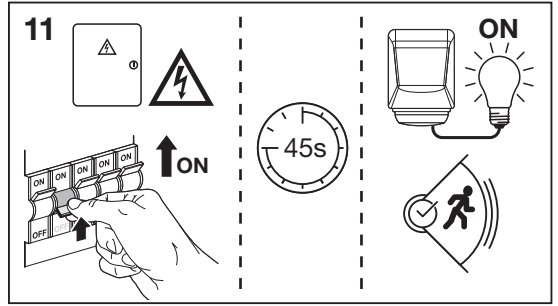
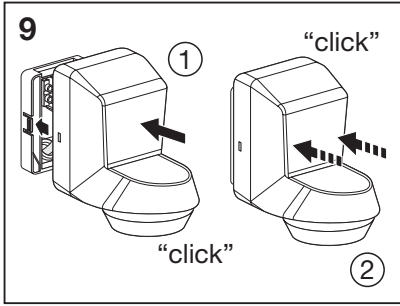

---



	<b>EAN</b>	<b>IP</b>	<b>IK</b>	<b>Temp. (°C)</b>	<b>V<sub>AC</sub></b>	<b>Hz</b>
<b>SENSOR WALL 360DEG IP55 WT</b>	4058075244818	55	05	-20...+40	220-240V	50/60 Hz
<b>SENSOR WALL 360DEG IP55 DG</b>	4058075244832	55	05	-20...+40	220-240V	50/60 Hz







C10449057  
G11127238  
03.11.2021



LEDVANCE GmbH  
Steinerne Furt 62  
86167 Augsburg, Germany  
[www.ledvance.com](http://www.ledvance.com)